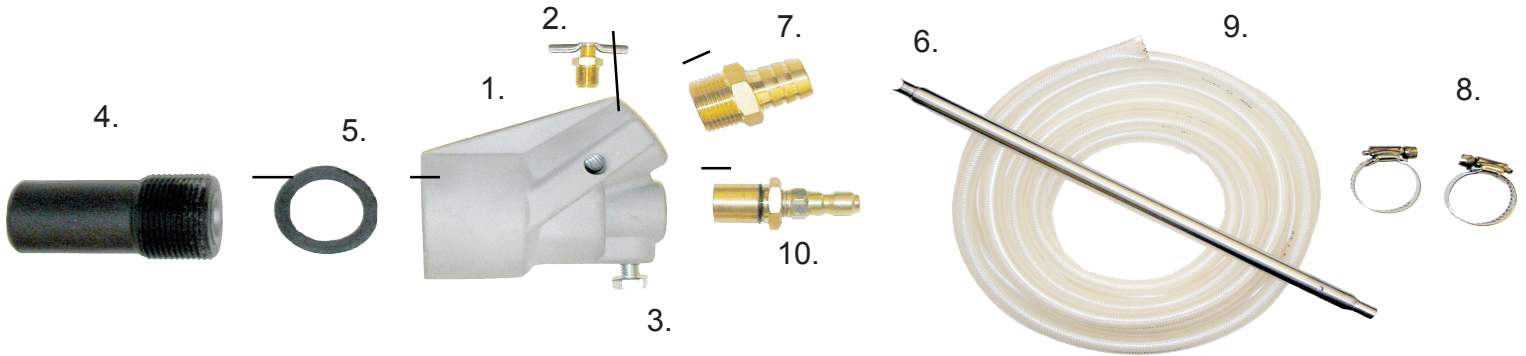


VELOCI PERFORMANCE PRODUCTS

Supplied by Veloci Performance Products, Inc.
866-686-4020 www.velociperformance.com

INDUSTRIAL SAND BLAST KIT - USERS MANUAL



Position	Qty	Part Number	Description
1	1	16.0118	Sand Blast Head
2	1	16.0119	Sand Valve 1/8 MPT
3	1	16.0120	Nozzle Holder Retaining Bolt
4	1	16.0121	Tungsten Carbide Nozzle & Body
5	1	16.0123	Gasket
6	1	16.0124	Sand Probe
7	1	16.0125	Hose Barb Brass 3/4
8	1	16.0126	Hose Clamp 3/4 (qty 2)
9	1	16.0127	Clear PVC Nylon braid Hose 3/4 x 25'
10	1	16.0128	Nozzle Holder 1/4 QC Inlet x 1/4 fpt Outlet

Technical Chart

Part#	Min-Max Pressure (US PSI)	Min-Max Flow (US GPM)	1/4" 4.0 & 5.0 - 0° Threaded Nozzle	Inlet	Hose Length
16.0117	3,000-5,000 PSI	4-8 GPM	Included	1/4" Plug	25 Feet

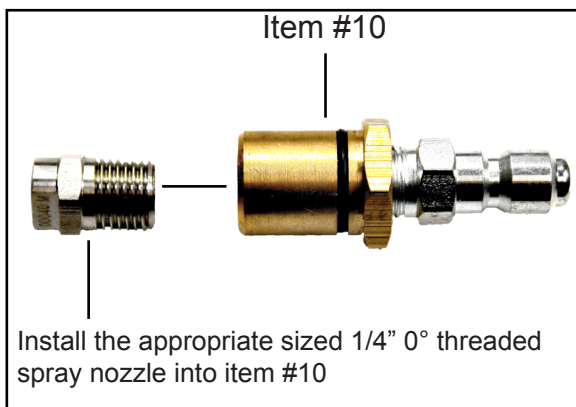
Assembly Instructions

Pre-Installed Items

- Item #4 & #5 are already pre-installed into item #1
- Item #2 is already pre-installed into item #1

Install The Following Items

- Install the appropriate sized 1/4" 0° threaded spray nozzle into item #10 (SEE BELOW DIAGRAM)
- Securely install item #10 in rear of item #1, lock item #10 in place using item #3
- Install item #7 in top port of item #1
- Connect item #6 & #7 to each end of item #9
- Secure item #9 in place with the clamps provided (#8)



Operating Instructions

- Place the sand induction probe in the sand supply container
- Connect the mixing head to the spray wand
- Start the pressure washer per the manufacturer's instructions
- Check the distance to hold the spray nozzle from the surface by starting from a distance of several feet
- Trigger the spray gun to activate the spray
- Gradually move closer, checking frequently to see the results of the high pressure spray on the surface
- Stop when desired cleaning occurs, moving closer to the surface could result in the high pressure spray causing damage to the surface
- Always point the sand nozzle downward when not spraying, this will prevent water from enter the sand supply
- If water does get into the sand supply hose, remove the probe from the sand, hold the spray gun trigger open and let the hose air dry
- Always be sure the sand hose is dry before using
- Keep the sand covered to prevent the over spray from wetting the sand
- Do not allow small fragments of the sand bag to mix into the sand supply, a small bag fragment could interrupt the flow of sand
- After the sand blasting operation is complete, remove the probe from the sand, hold the spray gun trigger open to clear the hose and probe of any sand
- Then remove the hose from the sand blast head and rinse with water to remove all the sand before storage

Product's Use

WARNING: Check to ensure that the product is compatible with the system's operating specifications, do not exceed the maximum flow, pressure or temperature ratings of the product that are listed in this manual (See Technical Chart).

Installation must be done exclusively by skilled workers. The manufacturer is not responsible or liable for any loss or damage arising from improper installation or installation done by unskilled workers.

Service

Service must be done exclusively by skilled workers using only original MTM Hydro Inc. replacement parts.

To correctly reassemble, follow the drawing listed in the exploded view in this manual.

WARNING: The components need to be properly reassembled to restore the original conditions of the product. The manufacturer is not responsible or liable for any loss or damage arising from improper reassembly or service by unskilled workers.

Further Instructions

To correctly install, use and service this product, carefully read and follow the instructions and warnings contained in this manual. Ensure these instructions are included in the final user's manual of any machine in which the product is assembled.

Any improper use of or alteration of this product may cause loss or injury. The manufacturer is not responsible or liable for any loss, damage or injury arising from improper use or alteration and declines all liability for its functioning and safety.

The product described here complies with the rules and the lines in force that you can find in the MTM Hydro Inc. CONFORMITY DECLARATION.

MTM Hydro Inc. declines all responsibility and liability in the case that the compliance and regulations stated in this manual are not followed or respected.

MTM Hydro Inc. reserves the right to make any modification to both products and manuals without notice.



**VELOCI PERFORMANCE
PRODUCTS**

*Supplied by Veloci Performance Products, Inc.
866-686-4020 www.velociperformance.com*